

# Fluterlicht 100W Bauform 3030 LEDs Netzteil von Meanwell

Input Voltage	90~305VAC
Frequency Range of PSU	50HZ~60HZ
Total Harmonic Distortion	≤9%
Power Factor	>0.9
Power Efficiency	>88%

Led Qty	100 pcs 3030 chip from Bridgelux
---------	----------------------------------

System Power Consumption	100~123.5W
--------------------------	------------

Led Luminous Efficiency	80-90lm/W
-------------------------	-----------

Avg. Luminous Flux Output	7500~9000lm@6000K
---------------------------	-------------------

Equivalent to (?) W sodium/ metal halid lamp	100W => 800W
----------------------------------------------	--------------

Color Temperature	WW	2800K~3200K
	NW	4000K~4500K
	PW	5000K~5500K
	W	6000K-6500K
	CW	>6500K

Color Rendering Index	>70
-----------------------	-----

Working Temperature	-30℃~+55℃ @35~85%RH
---------------------	------------------------

Storage Temperature	-40℃~+80℃ @5~95%RH
---------------------	-----------------------

IP Grade	65
----------	----

Material of the lamp shell	1.	Aluminium profile
	2.	ASA plastic
	3.	Strengthen glass
	4.	Cooling copper tube

Net Weight	3.9 kg/each
------------	-------------

Gross Weight	5.1KG/
	1pc each inner box
	20.4 kg/ 4pcs each carton

Package Size	39.5cmx34.5x24cm/
	1pc each inner box
	73cmx42cmx54.5cm / 4pcs each carton

## Features

- >> Various color as options:  
warm white/ pure white
- >> Adjustable projecting direction
- >> Instant on/ off; No UV/ flickering
- >> 50% less power consumption than traditional light sources

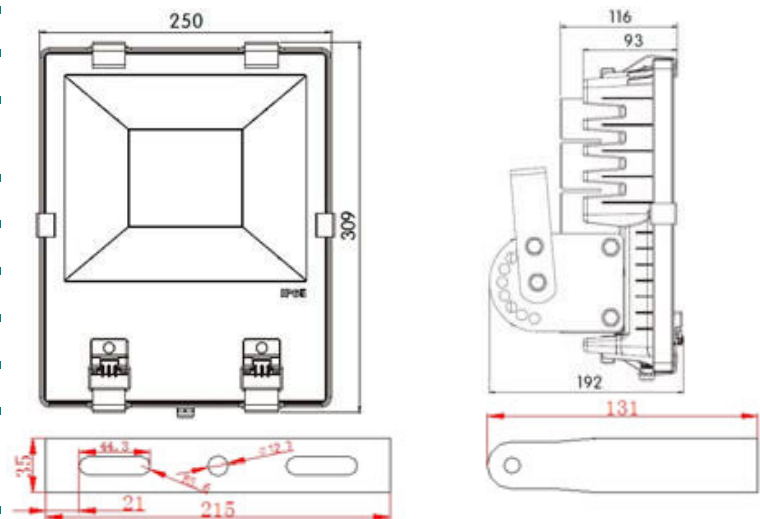
## Picture



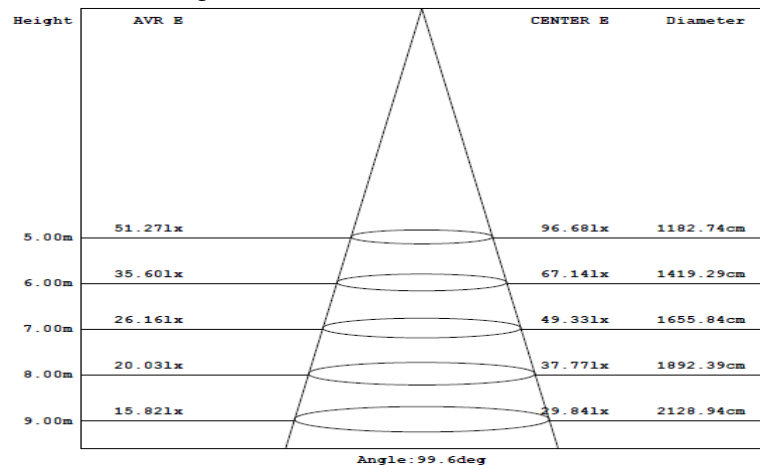
## External driver from Meanwell



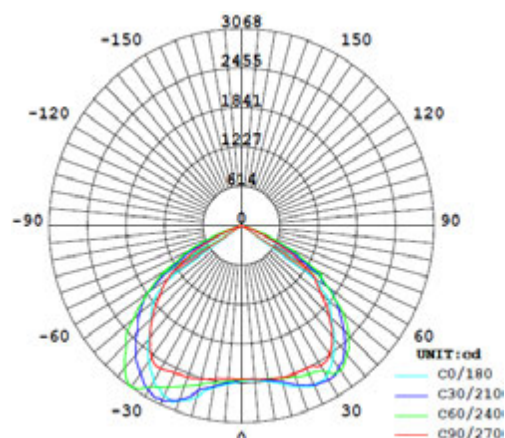
## Outline Drawing



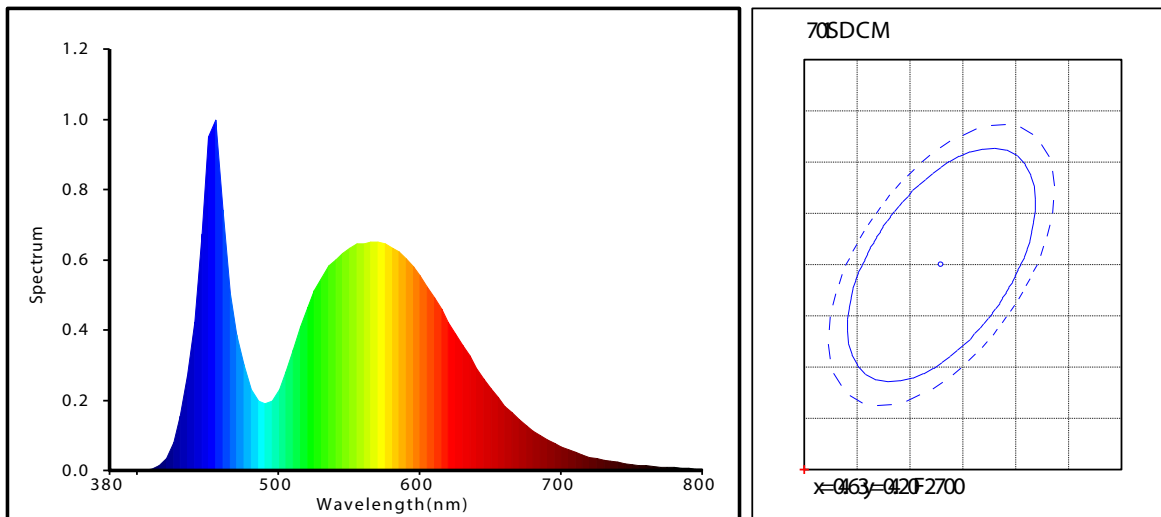
## Illuminance Diagram



## Distribution Curve



Light Source Test Report



Color Parameters:

Chromaticity Coordinate:  $x=0.3389$   $y=0.3550$   $u'=0.2059$   $v'=0.4854$   
 Tc=5250K Dominant WL:Ld=563.9nm Purity=8.2% Centroid WL:553.0nm  
 Ratio:R=15.1% G=81.2% B=3.8% Peak WL:Lp=455.0nm HWL:23.7nm  
 Render Index:Ra=74.0  
 R1 =70    R2 =80    R3 =86    R4 =72    R5 =71    R6 =72    R7 =84  
 R8 =57    R9 =0    R10=52    R11=67    R12=44    R13=73    R14=92    R15=66

Photo Parameters:

Flux: 8773.6 lm Fe: 26.370 W Efficacy:78.86 lm/W

Electrical Parameters:

Luminaire: U=221.7V I=0.5140A P=111.3W PF=0.9762

Instrument Status:

Scan Range:380.0nm-800.0nm    Interval:5.0nm[0]    Ip=31484(G=4,D=50)  
 REF=18492(R=3)    %=-0.131%    PMT: 18.6 centigrade [150.0]

Product Type:FL 100W  
 Number:N00012  
 Temperature:25.3 deg  
 Test Operator:DAMIN  
 Software:V2.00.100

Manufacturer:  
 Test Department:EVERFINE  
 Humidity:60.0%  
 Test Date:DAMIN  
 Instrument:PMS-80\_V1 (SN:1001013)