

Flutterlicht 80W Bauform 3030 LEDs Netzteil von Meanwell

Input Voltage	90~264VAC
Frequency Range of PSU	50HZ~60HZ
Total Harmonic Distortion	≤9%
Power Factor	>0.95
Power Efficiency	>88%

Led Qty	80 pcs High Power LED 3535
System Power Consumption	80~99W
Led Luminous Efficiency	75~80lm/W

Avg. Luminous Flux Output	6000~6400lm@6000K
Equivalent to (?) W sodium/ metal halid lamp	80W ⇒ 600W

Color Temperature	WW	2800K~3200K
	NW	4000K~4500K
	PW	5000K~5500K
	W	5500K~6000K
	CW	>6000K

Color Rendering Index	>70
-----------------------	-----

Working Temperature	-30~+55 @35~85%RH
---------------------	----------------------

Storage Temperature	-40~+80 @5~95%RH
---------------------	---------------------

IP Grade	65
----------	----

Material of the lamp shell	Housing:	Aluminium with cooling fins
	Cover:	ASA plastic with Strengthen glass

Net Weight	3.2 kg/each
------------	-------------

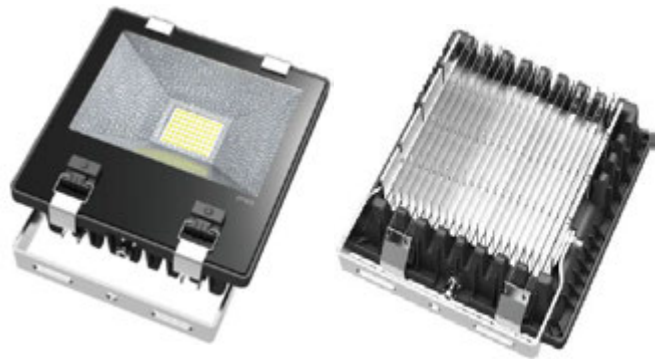
Gross Weight	13.8 kg/ 4pcs each carton
--------------	------------------------------

Package Size	70cm*39.5cm*38.5cm / 4pcs each carton
--------------	--

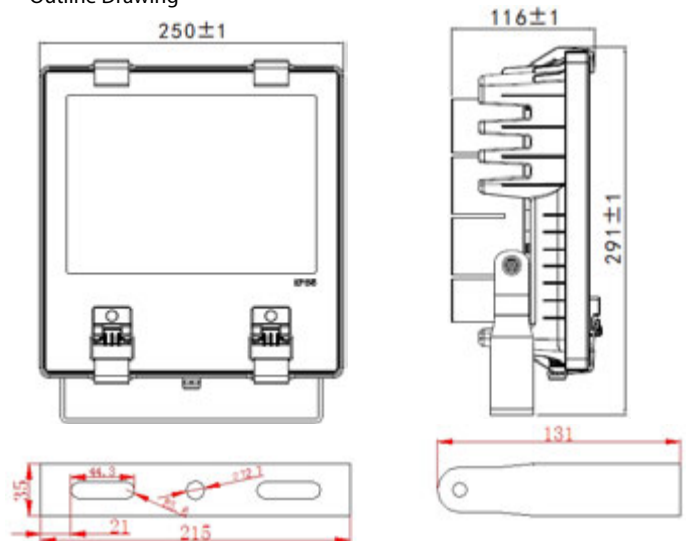
Features

- >> Various color as options:
Red/ Green/ Blue/ warm white/ pure white
- >> Adjustable projecting direction
- >> Instant on/ off; No UV/ flickering
- >> 50% less power consumption than traditional light sources

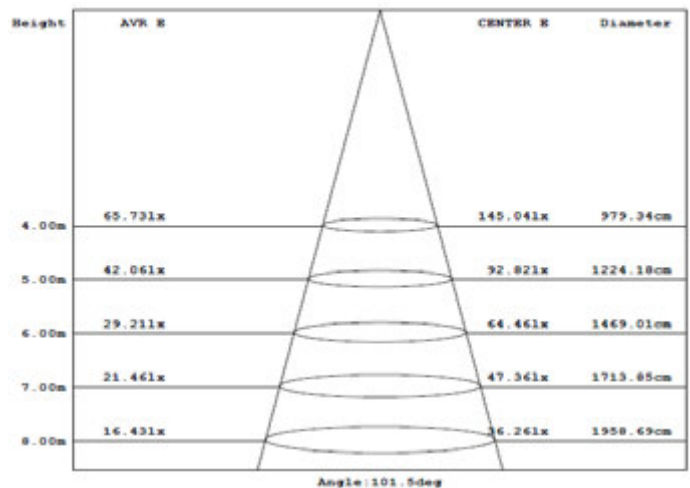
Picture



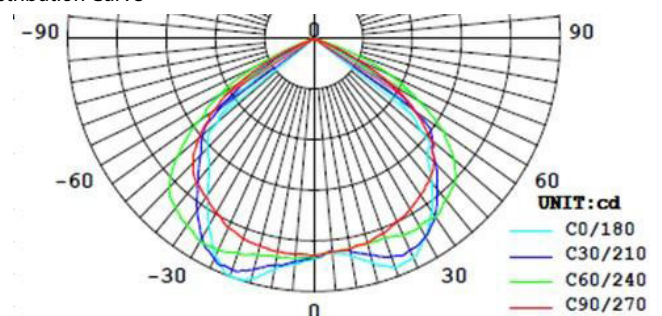
Outline Drawing



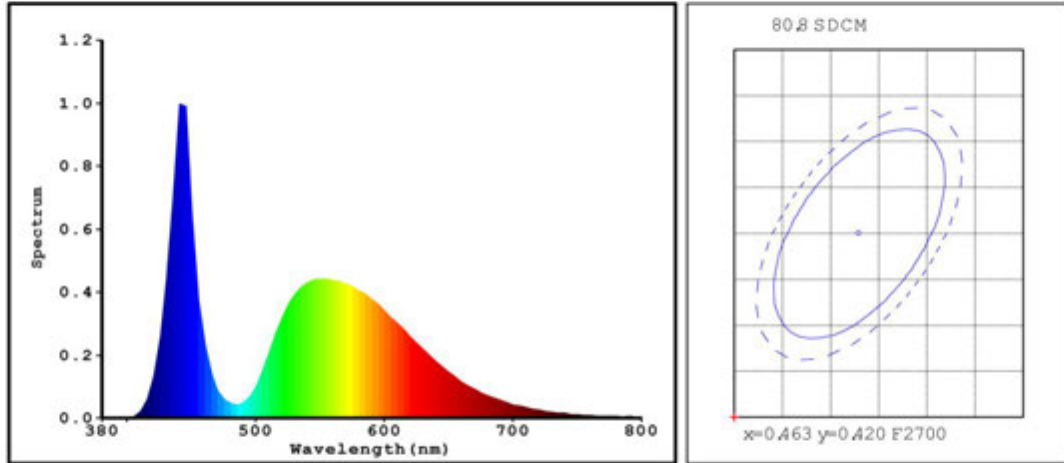
Illuminance Diagram



Distribution Curve



Light Source Test Report



Color Parameters:

Chromaticity Coordinate: $x=0.3183$ $y=0.3168$ $u'=0.2065$ $v'=0.4625$
Tc=6277K Dominant WL:Ld=475.0nm Purity=6.7% Centroid WL:544.0nm
Ratio:R=14.1% G=83.3% B=2.6% Peak WL:Lp=440.0nm HWL:21.6nm
Render Index:Ra=71
R1 =71 R2 =69 R3 =64 R4 =71 R5 =71 R6 =58 R7 =73
R8 =63 R9 =0 R10=24 R11=72 R12=37 R13=68 R14=79 R15=68

Photo Parameters:

Flux: 6704.6 lm Fe: 19.822 W Efficacy:77.6 lm/W

Electrical Parameters:

Luminaire: U=215.9V I=0.4002A P=86.4W PF=0.9727

Instrument Status:

Scan Range:380.0nm-800.0nm Interval:5.0nm[0]
REF=17849(R=3) %=-0.209%

Ip=29019(G=4,D=54)
PMT: 29.3 centigrade [29.5]